

# 2X4 Lay-In Troffer - Volumetric Dual Lens

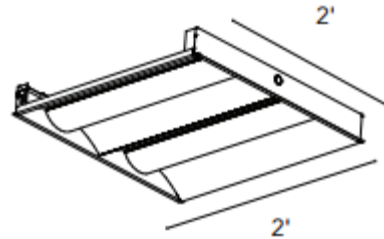
## FEATURES ///

- Long life: 50,000 hours
- Up to 5,200 Lumens (191lm/w)
- Smooth, uniform dimming 0-10V (120-277V)
- High efficiency alternative to T12 and T8 linear fluorescent troffers
- Excellent color consistency and superior lumen maintenance
- UL/cUL listed
- DLC listed
- Emergency Back Up Available



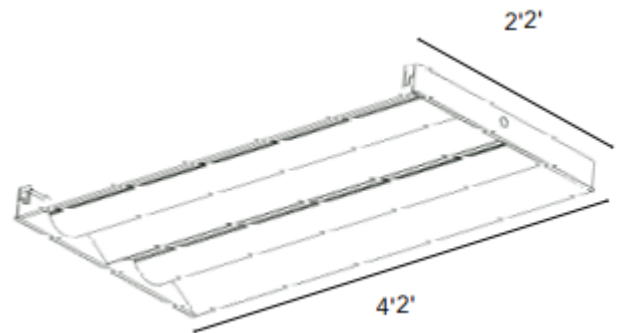
## PRODUCT SPECIFICATIONS ///

Input Line Voltage: ..... 120 - 277 VAC  
 Lamp Life (Rated) ..... 50,000 hrs  
 Minimum Starting Temp ..... -4°F  
 Maximum Operating Temp.....114°F  
 CRI ..... >80



## RELACEMENT COMPARISON ///

SYSTEM	BALLAST FACTOR	INPUT WATTS	LED ENERGY SAVINGS (%)
5200 Lumen 2X4 LED	1	42	
2 Lamp 32W T8 HBF	1.18	74	43%
2 Lamp 28W T5	1	63	34%
2 Lamp 32W T8 NBF	0.88	59	29%



## ORDERING INFORMATION ///

### Etrenzik Troffer

Example - ETR24-4240A611

Manufacturer	Model	Size	Wattage	Color	Lumens	Input Voltage	EMR Backup
Etrenzik	E Troffer TR	2X4 24	34W 34	5000K 50	4,050 A6	120-277V 1	Yes 1
		2X2 22	42W 42	4000K 40	5,200 A5		No Blank

## CONTACT

Etrenzik Manufacturing, Inc.  
 (866) 267-7047 office · (678) 807-1900 Fax  
 Info@etrenzik.com

Etrenzik Manufacturing, Inc.  
 169 Creamer Drive  
 Alpharetta, GA 30004  
 www.etrenzike.com / www.etrenzik.com